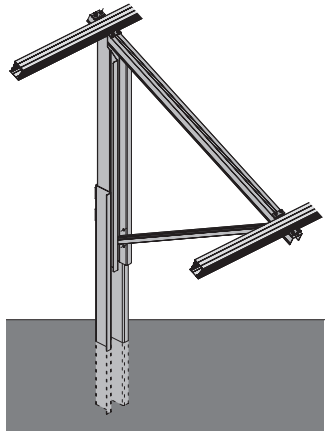
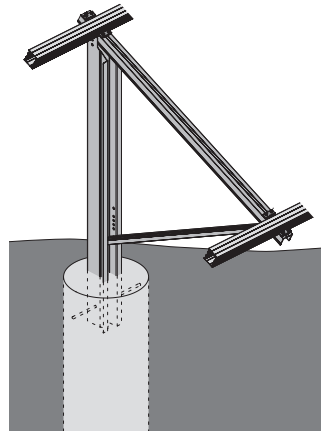


Foundation Type

Rammed System (a)

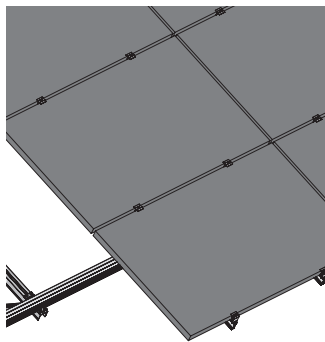


Cast-in System (b)

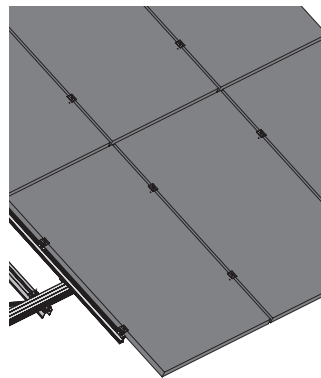


Panel configuration

Landscape (L)



Portrait (P)



Parts List

①	②	③	④	⑤	⑥
MSP-SPT1-RP4	MSP-SPT1-SP2,5	MSP-SPT1-P	M12x25 HDG	MSP-SPT1-ST	MSP-SPT-LC
⑦	⑧	⑨	⑩	⑪	⑫
MSP-SPT-LS	S-MD03S 5,5x26	MSP-SPT-WF	MSP-SPT-CS	MSP-EC-C	MSP-MC-C
⑬	⑭	⑮	⑯		
MSP-MC-UP	MSP-MC/EC-SP	MSP-MC/EC-CL	MSP-SPT1-CI2,5		

